

Elevator Shafts



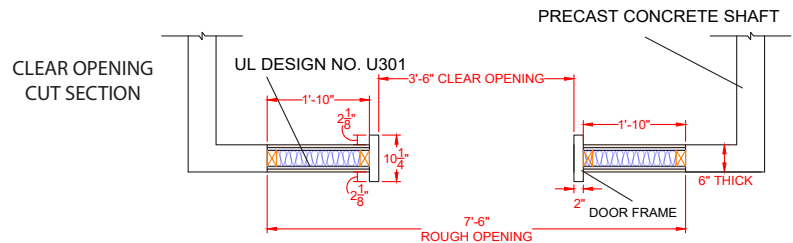
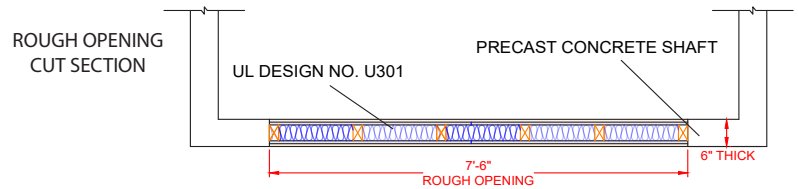
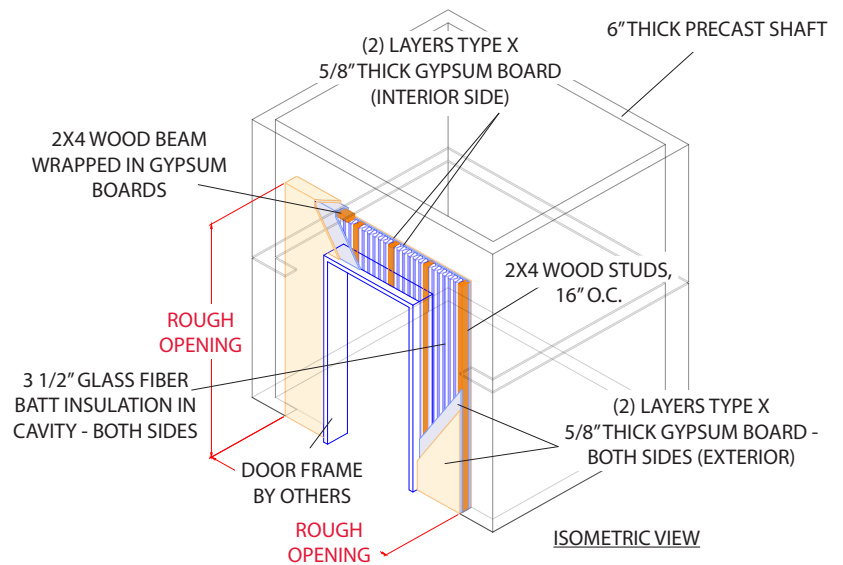
Elevator Shaft

Manufactured in the USA by County Prestress & Precast

Precast shafts manufactured by County Prestress & Precast are a more efficient alternative to conventional concrete masonry shafts. Rely on us to deliver and install precast elevator and stair shaft components to meet the toughest construction schedules.

Specifications

- Signed and sealed shop drawings from specialty engineer
- 6" or 8" thick precast concrete shafts
- 6" thick precast roof cap
- Wide flange hoist beam
- Transportation
- Installation equipment and labor
- 2-hour joint assembly



Advantages

- Ideal for residential mid-rise buildings, self-storage, offices, hotels, student housing, and apartments
- Ready-to-install components support efficient construction and reliable scheduling
- Fire ratings up to 3 hours
- Manufactured to 6,500 psi compressive strength with precise dimensions in our NPCA-certified plant
- Rigorous in-plant quality control inspections
- Responsive customer service and trusted products

(Patent Pending)

Stair Shafts

Permanent Access from the Start

Avoid dangerous temporary ladders and expensive temporary stairs. Precast Stair Shafts and Staircases allow immediate access for:

- Stair installers and tradesmen
- Inspectors
- First responders
- Fire suppression pipe stand

County Prestress & Precast is your source for resilient precast elevator and stair shafts. We are headquartered in Westmont, Illinois and supply products throughout the greater Midwest and Southeast.

Specifications

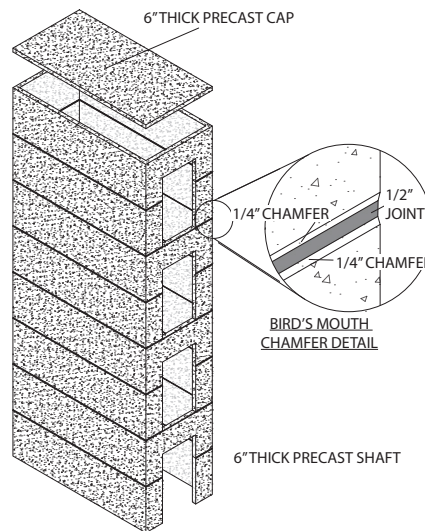
- Signed and sealed shop drawings from specialty engineer
- 6" or 8" thick precast concrete shafts
- 6" thick precast roof cap
- Wide flange hoist beam
- Transportation
- Installation equipment and labor
- 2-hour joint assembly

Advantages

- Ideal for residential mid-rise buildings, self-storage, offices, hotels, student housing, and apartments
- Ready-to-install components support efficient construction and reliable scheduling
- Fire ratings up to 3 hours
- Manufactured to 6,500 psi compressive strength with precise dimensions in our NPCA-certified plant
- Rigorous in-plant quality control inspections
- Responsive customer service and trusted products



Four Story Stair Shaft



Combined 5-Story Shafts

(Patent Pending)